

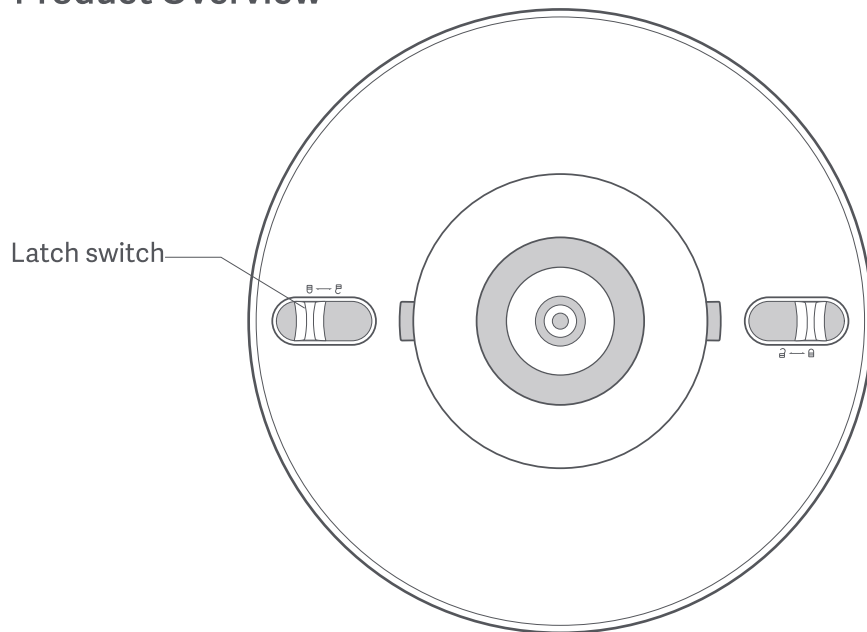
Mi LED Ceiling Light

User Manual



Read this manual carefully before use, and retain it for future reference.

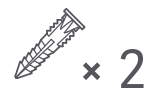
Product Overview



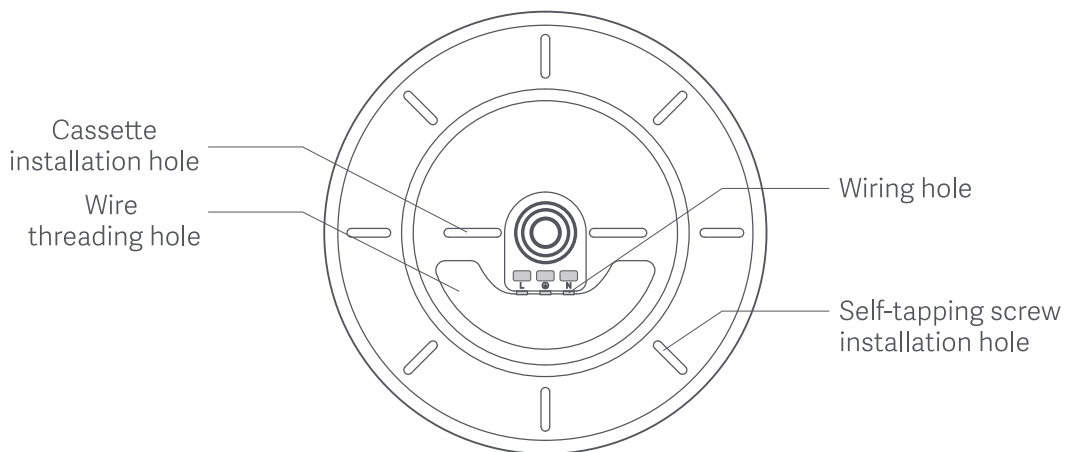
Reverse view of lamp body



Self-tapping
screw



Wall anchor



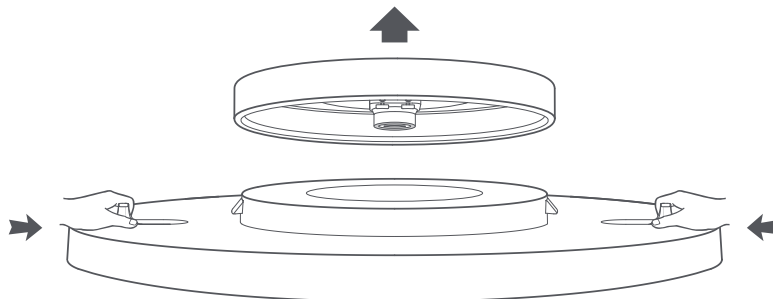
Base



Metric screw

Installation Instructions

1. Open the packet and remove the ceiling light, push the latch switch inwards, and remove the base.



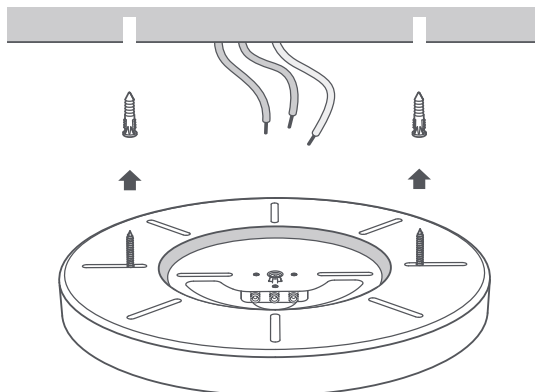
* For your own safety, it is recommended to do the installation or overhaul by an electrician.



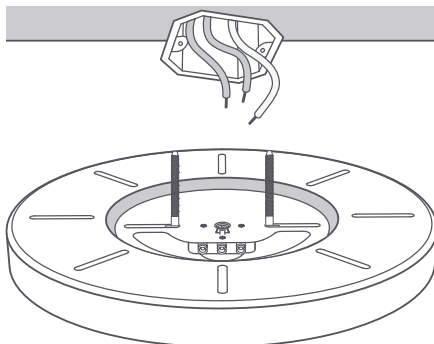
* Prior to installation, disconnect the electricity supply to prevent electric shocks. When installing, follow the steps in the instructions closely. If not installed correctly, there is a risk of fire, electric shocks or the lamp body falling off.

2. Install the Base

Method a: Make two $L \geq 25$ mm installation holes in the wall using a $\phi 6$ mm impact driver (as seen below). Place a wall anchor in the installation hole, then thread the power cord into the wiring hole. Fix the base onto the ceiling using a self-tapping screw, and make sure that the base is fixed securely (recommended method).



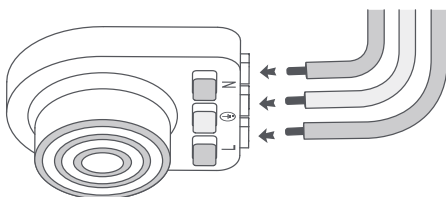
Method b: Check that the two installation points of the junction box are completely undamaged. Having confirmed that, thread the power cord into the wiring hole, and fix the base onto the ceiling junction box using a self-tapping screw, making sure that the base is fixed securely.



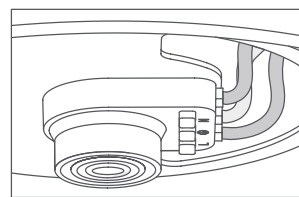
3. The wiring hole is suitable for a power cord with a cross section of 1.5-2.5 mm². Strip away 11-13 mm of the power cord and wire the neutral wire, the ground wire and the live wire into the ceiling light.



11—13 mm



Sequentially thread the neutral wire, the ground wire and the live wire into the wiring holes marked N, ⊕, and L. (When pulling the power cord out, first press on the red button on the wiring hole and then pull the cord out).

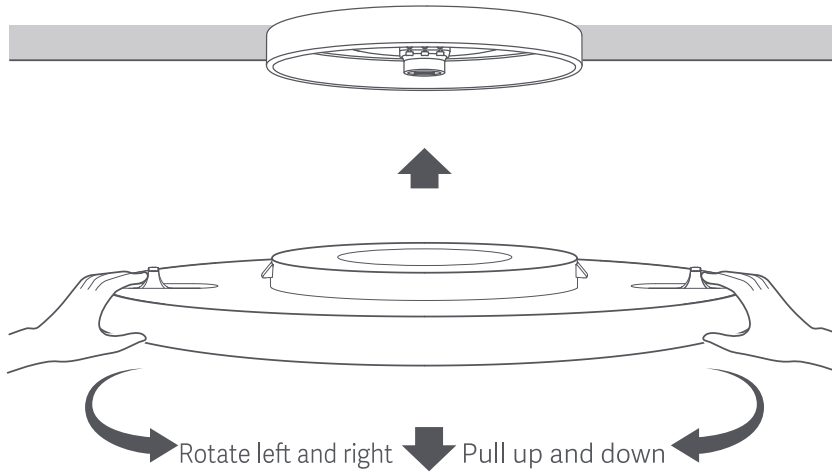


Arrange the power cord as shown in the diagram and check the wiring is secure.



* This product must be grounded.

4. Hold two edges of the lamp body with two hands (be careful your hands do not press on the light-emitting face) to align and fix in the base. The two sides should be pushed gently upwards at the same time. When you hear a click, the lamp body is installed. After installation, rotate the lamp body to the left and right and pull up and down to make sure that the latch switch has clicked in.



* After installation, make sure that the light has been installed in place. If not installed correctly, there is a risk that the product will fall down.

Quick Setup

Control your device and interact it with other smart home devices in Mi Home app.

1. Install Mi Home app

Scan the QR code or go to the app store to download and install Mi Home app.

2. Add a device



Open Mi Home app, tap "+" on the upper right, and then follow prompts to add your device.

Note: The version of Mi Home app might have been updated, please follow the instructions based on the current app version.




Link a Mi Device with Google Assistant

Add the Mi Home service to the Google Assistant app, to control devices connected to Mi Home from Google Assistant.

1. Tap  in the Google Assistant app, search for "Mi Home", tap "Link", and sign in with your Xiaomi account.
2. Tap  in Settings > Home control to add a device, and follow the on-screen instructions. Once the accounts are linked, you can control the Mi device from Google Assistant.

Link a Mi Device with Amazon Alexa

Add the Mi Home skill to the Amazon Alexa app, to control devices connected to Mi Home from Amazon Alexa.

1. Tap  in the Amazon Alexa app, then tap “Skills & Games”, search for “Mi Home”, select the correct skill and tap “Enable”. Then sign in with your Xiaomi account.
2. After successfully linking the accounts, tap DISCOVER DEVICES to add the device, and follow the on-screen instructions. Once the accounts are linked, you can control the Mi device from Amazon Alexa.

Wall Switch Control

After using the wall switch to turn on the light, switch the light off and on again for 5 seconds. You can switch the color temperature of the light. The default can be switched between warm white, white light and night light, and you can set the light you prefer in the smart phone App.

* Switch the light on and off through two cycles in one go (i.e. press the switch 6 times), and when the switch is pressed for the third cycle (the seventh time), the ceiling light will enter a restore factory settings mode.

Restore Factory Settings

Switch the light on and off 7 times using the wall switch (waiting for 2 seconds each time the light is turned on, and waiting for 2 seconds after the light is turned off), and the ceiling light will appear to be in a breathing mode. The ceiling light will automatically restart after 5 seconds and will be restored to factory settings.

* When used for the first time in a new network environment, the ceiling light must be restored to factory settings and then connected to the new network.

Specifications

Model: MJXDD01YL

Power factor: 0.9

Rated power: 32 W

Operating life: Approx. 25,000 h

Operating humidity: 0 - 85% RH

Color temperature: 2,700 - 5,700 K

Operating temperature: -10°C ~ 40°C

Rated input: 220 - 240 V ~ 50/60 Hz, 0.145 A

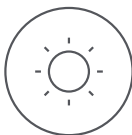
Compatible with: Android 4.4 & iOS 8.0 or above

Wireless connectivity: Wi-Fi IEEE 802.11 b/g/n 2.4 GHz, Bluetooth 4.2 BLE

Product Features



Adjust color temperature



Adjust brightness



Moonlight night light



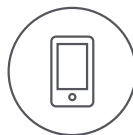
High color index



Smart scene



Smart home



Smart phone controller



Firmware upgrades

For further information, please go to www.mi.com

Manufactured by: Qingdao Yeelink Information Technology Co., Ltd.

Address: F10-B4, Bldg. B, International Innovation Park, 169 Songling Rd., Laoshan District, Qingdao, China

Importer:

Beryko s.r.o.

Na Roudné 1162/76, 301 00 Plzeň

www.beryko.cz